

ULTRA-SLIM Proximity Reader - PR 1000

PR 1000

Excellent outdoor performance.
For any weather conditions.
Waterproof and vandal safe.



Description

Art. No. 460101

Product

- Proximity reader - black (can be ordered as white)
(It comes with 4 stainless steel screws, plugs, diode and front label)

Size

- Reader: H x W x D = 130 x 50 x 8 mm.
- Mounting plate (optional): 130 x 50 x 2 mm.
- Framework (optional): 155 x 75 x 15 mm.

Power supply & output

- Voltage: 9-17V DC, (30 mA consumption)
- Output (yellow core): 500 mA (open collector)
- External control buzzer, red & green LED
- External control request to exit button (REX)
- Sabotage loop

Operating data

- Operating temperature: -30°C to +80°C
- Humidity: 100%
- Rating: IP67

Cable (supplied)

- 2,5 m, with 8 core

Accessories

- Mounting plate: stainless steel.
- Framework: anthracite grey, white or silver.
- Changeable front labels.

The ultra-slim PR 1000 1024 user proximity reader allows for simple installation and configuration into virtually any application. The PR 1000 incorporates advanced encrypted coding of user keys. The extremely high IP (67) rating enables the PR 1000 to be mounted in exposed external environments. The durable, wipe clean face incorporates LED indicators to assist the user.

Manufactured to the highest standard and offering reliable operation, the PR 1000 is compatible with the entire Conlan range of locking devices via our supplementary relays and auxiliary power supply units. The PR 1000 is suitable for connection to existing access control systems or is ideal a part of a stand alone system.

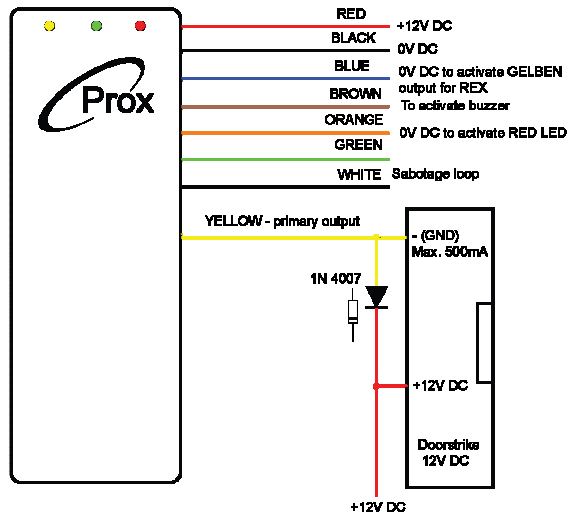
The optional framework or mounting plate is ideal for surface wired applications.

Front labels are available to order.



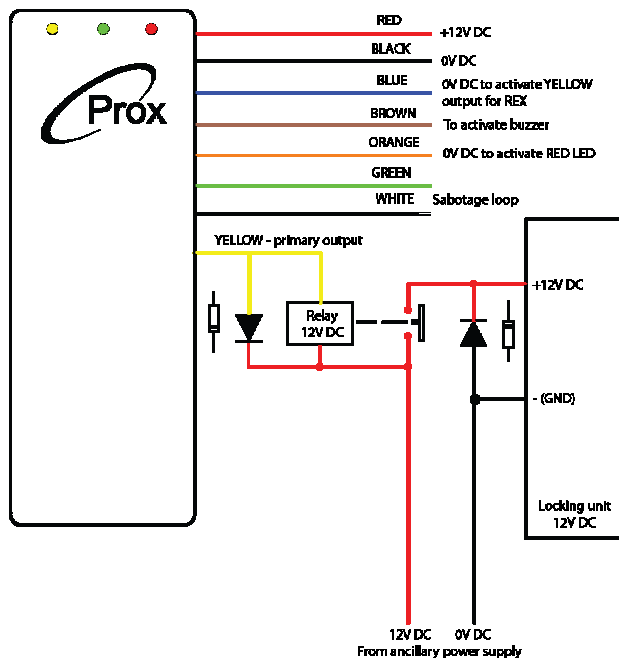
PR 1000 - TECHNICAL INFORMATION

Direkte Connection



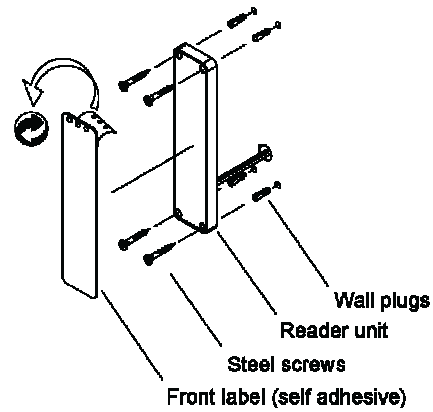
the electric strike shown in the above circuit diagram are for illustrative purposes only and are not included with the PR 1000. Please order separately.

Indirect Connection

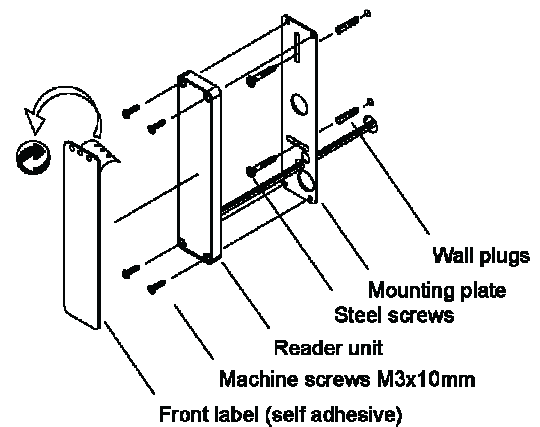


Locking unit, supplementary relays and additional diode shown in the above circuit diagram are for illustrative purposes only and are not included with the PR 1000. Please order separately.

Standard installation



Installation with optional mounting plate



Installation with optional framework

